



BARBECUE LIGHTS BQ-16 SERIES



TYPE

SPECIFICATIONS

CONSTRUCTION:

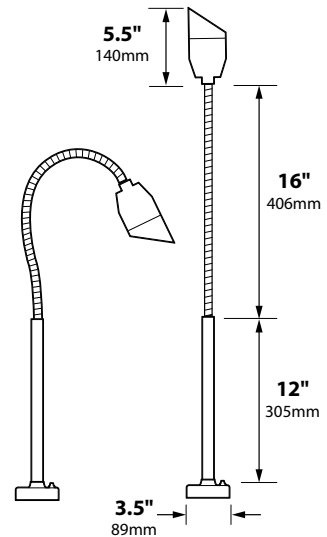
- FIXTURE:** Cast 316 stainless steel body and matching angle cap.
 - ARM:** 12" 316 stainless steel rigid stem with 16" Stainless steel flex arm on top. Clear polyolefin shrink cover protection on flex arm.
 - MOUNT:** Cast 316 stainless steel deck mount canopy
 - SWITCH:** On/Off push button with weatherproof rubber boot cover
 - LENS:** High impact clear tempered flat glass
 - O-RING:** High temperature red silicone
 - FINISH:** Stainless Steel - Brushed
- Stainless steel BBQ lights that are painted are non-returnable, no exceptions**

12v ELECTRICAL SPECIFICATIONS:

- LEGACY LAMP:** 20w MR16 FL(BAB), 5000 hours average rating (35w max)
- LED LAMP OPTION:** ARROW SAVER 4w MR16 LED (-LAS40); 40,000 hour
- SOCKET:** High temperature ceramic GU5.3 bi-pin with 250°C silicone lead wires
- WIRING:** Black 7 foot 18/2 zip cord from base of fixture
For 25 foot 16/2 fixture lead wire add **-25F** to catalog number

120v ELECTRICAL SPECIFICATIONS:

- LEGACY LAMP:** 35w MR16 medium base, 2000 hours average rating (35w max)
- LED LAMP OPTION:** ARROW 7w PAR16; 40,000 hour
- SOCKET:** High temperature ceramic medium base with 250°C silicone lead wires
- WIRING:** Standard Black, White and Ground 9" lead wires



ORDERING INFORMATION

CATALOG NO.	DESCRIPTION	LAMP	SHIP WEIGHT
12v			
BQ-16-FD-SS	316 Stainless Steel Flex Deck BBQ Light	20w MR16	4.0 lbs.
BQ-16-FDLAS40-SS	316 Stainless Steel Flex Deck BBQ Light	4W MR16 LED	4.0 lbs.
120v			
BQ-16-FD-MR16120V-SS	316 Stainless Steel Flex Deck BBQ Light	35w MR16	4.0 lbs.
BQ-16-FD-LEDPAR1636-SS	316 Stainless Steel Flex Deck BBQ Light	7w PAR16 LED	4.0 lbs.



JOB INFORMATION	
Type:	Date:
Job Name:	
Cat. No.:	
Lamp(s):	
Specifier:	
Contractor:	
Notes:	
FOCUS INDUSTRIES INC. 25301 COMMERCENTRE DRIVE LAKE FOREST, CA 92630	
www.focusindustries.com sales@focusindustries.com (949) 830-1350 • FAX (949) 830-3390	

Black Texture (Standard)	Antique Verde	Bronze Texture	Camel	White Texture	Hunter Texture	Rust	Weathered Iron	Weathered Brown	Stucco	Rubbed Verde	Chrome Powder	Acid Rust	Acid Verde	Black Acid Treatment
-BLT	-ATV	-BRT	-CAM	-WTX	-HTX	-RST	-WIR	-WBR	-STU	-RBV	-CPR	-BAR/CAR	-BAV/CAV	-BAT